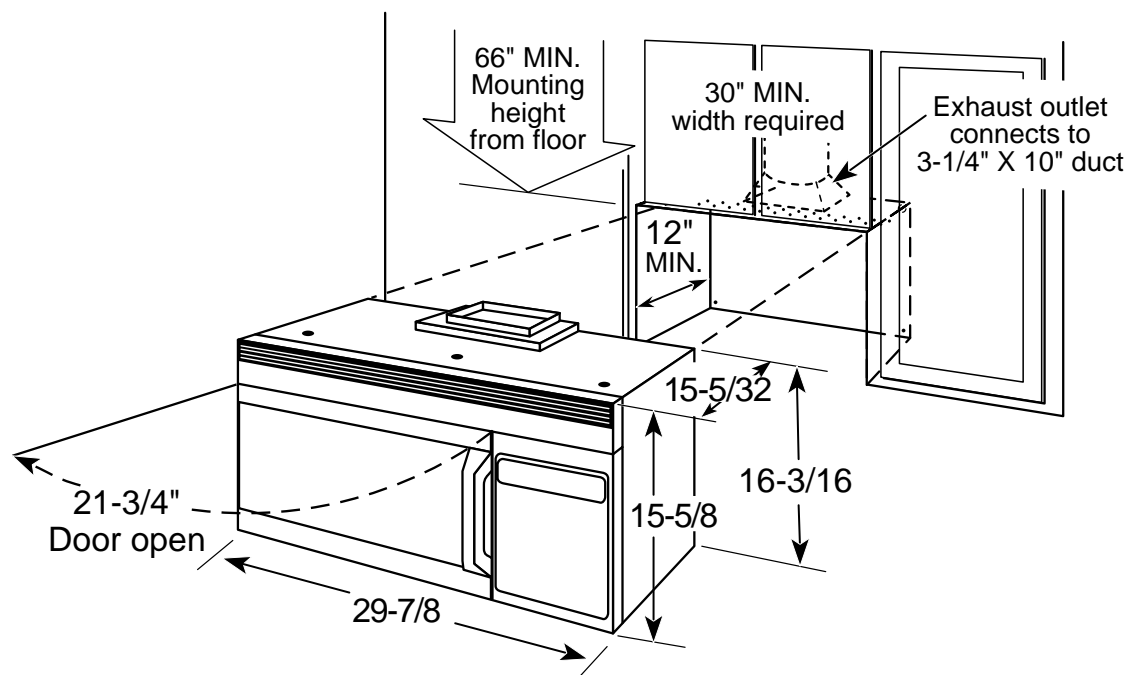




GE Appliances

JVM1631BJ/CJ/WJ – GE Spacemaker® Over-the-Range Microwave Oven with Recirculating Venting

Dimensions (in inches)



Note: Requires 120V grounded outlet. Electrical receptacle must be located in cabinet above Spacemaker microwave oven. No additional wiring, venting or cabinet rebuilding necessary in many cases. Complete detailed, easy-to-follow installation instructions and convenient full-size templates are packed with the Spacemaker microwave oven.

Important Information: When installing the Spacemaker microwave oven over a range, allow minimum of 2" from bottom of Spacemaker microwave oven to top of range backguard to allow for removal of light covers.

Ventilation Options: The Spacemaker microwave ovens are designed for adaptation to the following three types of ventilation:

- Outside exhaust (vertical – as shown)
- Outside exhaust (horizontal)
- Recirculating (non-vented ductless)

Installation Information: This information is not intended to be used for installing unit described. Before installing, consult installation instructions packed with product/kit for current dimensional data.



Listed by
Underwriters
Laboratories

For answers to your Monogram®, GE Profile™ or GE® appliance questions, visit our website at GEAppliances.com or call GE Answer Center® service, 800.626.2000.



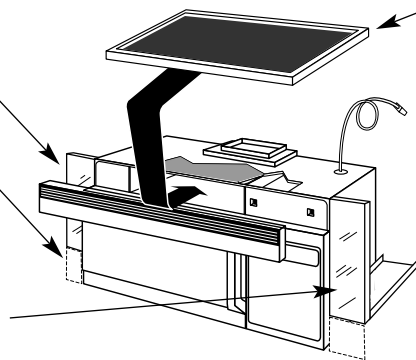
JVM1631BJ/CJ/WJ – GE Spacemaker® Over-the-Range Microwave Oven with Recirculating Venting

Optional Accessories (Available at additional cost)

12" Filler Panel Kits
JX41-Black
JX40WH-White

15" Filler Panel Kits
JX48BL-Black
JX48WH-White

When replacing a 36" or 42" range hood, this kit fills in the additional width to provide a custom built-in appearance. For installation between cabinets only; not for end-of-cabinet installation. Each kit contains two 3"-wide filler panels.



Filter Kits
JX81D-Recirculating
Charcoal Filter Kit
(included with
non-vented models)
To be used when the
Spacemaker microwave
oven cannot be vented
to the outside.

HOOD EXHAUST DUCT

Outside ventilation requires a HOOD EXHAUST DUCT. Read the following carefully.

EXHAUST CONNECTION: The hood exhaust has been designed to mate with a standard 3-1/4" x 10" rectangular duct. If a round duct is required, a rectangular-to-round transition adaptor must be used. Do not use less than a 6" diameter duct

REAR EXHAUST: If a rear or horizontal exhaust is to be used, care should be taken to align exhaust with space between studs, or wall should be prepared at the time it is constructed by leaving enough space between the wall studs to accommodate exhaust.

MAXIMUM DUCT LENGTH: For satisfactory air movement, the total duct length of 3-1/4" x 10" rectangular or 6" diameter round duct should not exceed 140 equivalent feet.

ELBOWS, TRANSITIONS, WALL AND ROOF CAPS, etc., present additional resistance to airflow and are equivalent to a section of straight duct which is longer than their actual physical size. When calculating the total duct length, add the equivalent length of all transitions and adaptors plus the lengths of all straight duct sections. The chart below shows the approximate feet of equivalent length of some typical ducts.

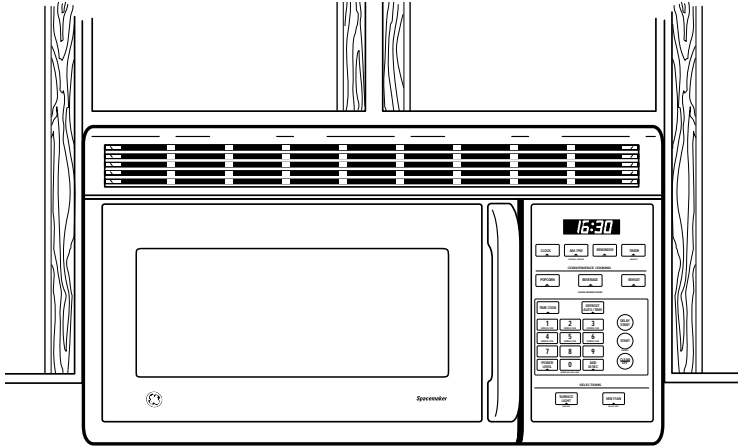
Duct	Equivalent Feet
A. Rectangular-To-round Transition Adaptor	5 ft.
B. Wall Cap	40 ft.
C. 90° Elbow	10 ft.
D. 45° Elbow	5 ft.
E. 90° Elbow	25 ft.
F. 45° Elbow	5 ft.
G. Roof Cap	24 ft.





GE Appliances

JVM1631BJ/CJ/WJ – GE Spacemaker® Over-the-Range Microwave Oven with Recirculating Venting



Features and Benefits

- 1.6 cu. ft. capacity – 1000 Watts (IEC-705 test procedure)
- Convenience cooking controls – Allows cooking and reheating at the touch of a button.
- Turntable – Continually rotates food to ensure even cooking.
- Auto/Time Defrost – Automatically defrosts for a specified amount of time.
- 10 power levels – Offer the flexibility to accurately cook any meal, from frozen entrees to refrigerated casserole dishes.
- Full-view cooktop lighting – Illuminates the cooking surface below.
- Two-speed, 300-CFM venting system with recirculating exhaust fan – Quickly removes the smoke and steam from the cooktop.
- Model JVM1631WJ – White on white
- Model JVM1631BJ – Black on black
- Model JVM1631CJ – Bisque on bisque